

PRO
PROFESSIONAL
LED

"The best is yet to Light"



Recessed

JISO
ILUMINACION
SPAIN

TECHNICAL INDOOR



DOWNLIGHT RECESSED



Siempre una solución para todos tus tipos de proyectos
Always a solution for all your types of projects

Warranty



5 years
3 years

Solutions in sizes and embedments



Regulations and control solutions



ON/OFF
Dimm PUSH
Dimm SMART CONTROL
Control Voice

Dimm 1-10V
Dimm DALI
Dimm Trailing Edge
...

Finishing solutions



Customized finishing: black, grey, gold, nickel, ...
Choose the color that fits your project

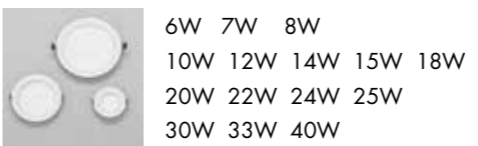
Solutions ON/OFF

Ref	Driver	Warranty
29	ON-OFF. Non Dimmable	3
21	ON-OFF. Non Dimmable	5
23	ON-OFF. Non Dimmable	5

Dimmable solutions

Ref	Driver	Warranty
51	Dimm. Trailing Edge	5
37	Dimm. 1-10V	5
47	Dimm. 1-10V/DALI/PUSH	5

Solutions for all powers

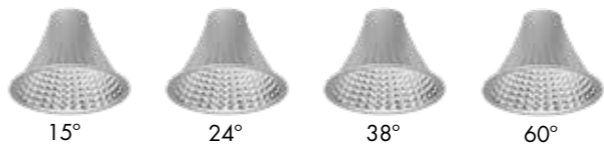


6W 7W 8W
10W 12W 14W 15W 18W
20W 22W 24W 25W
30W 33W 40W

Solutions in ranges and designs



Solutions for specific openings



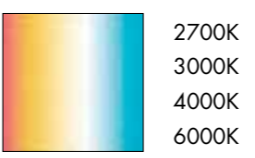
15° 24° 38° 60°

Sealing solutions



IP44
IP65

Color temperature solutions



2700K
3000K
4000K
6000K

Solutions in shapes



Complete range of round and square luminaires

Embedding solutions



Square luminaire with round recessed
Accessories to cover anterior cuts

Height solutions



Luminaires with similar designs and different heights to adapt to the needs of the installation



Technical Capsule

Light Integrated LED P.260



00901 P.261



55108 P.263



55115 P.264



55122 P.265



50608 P.266



50615 P.267



50625 P.268



50708 P.269



50715 P.270



50725 P.271



59308 P.273

Light Without Technology P.274



739D P.274



703D P.275

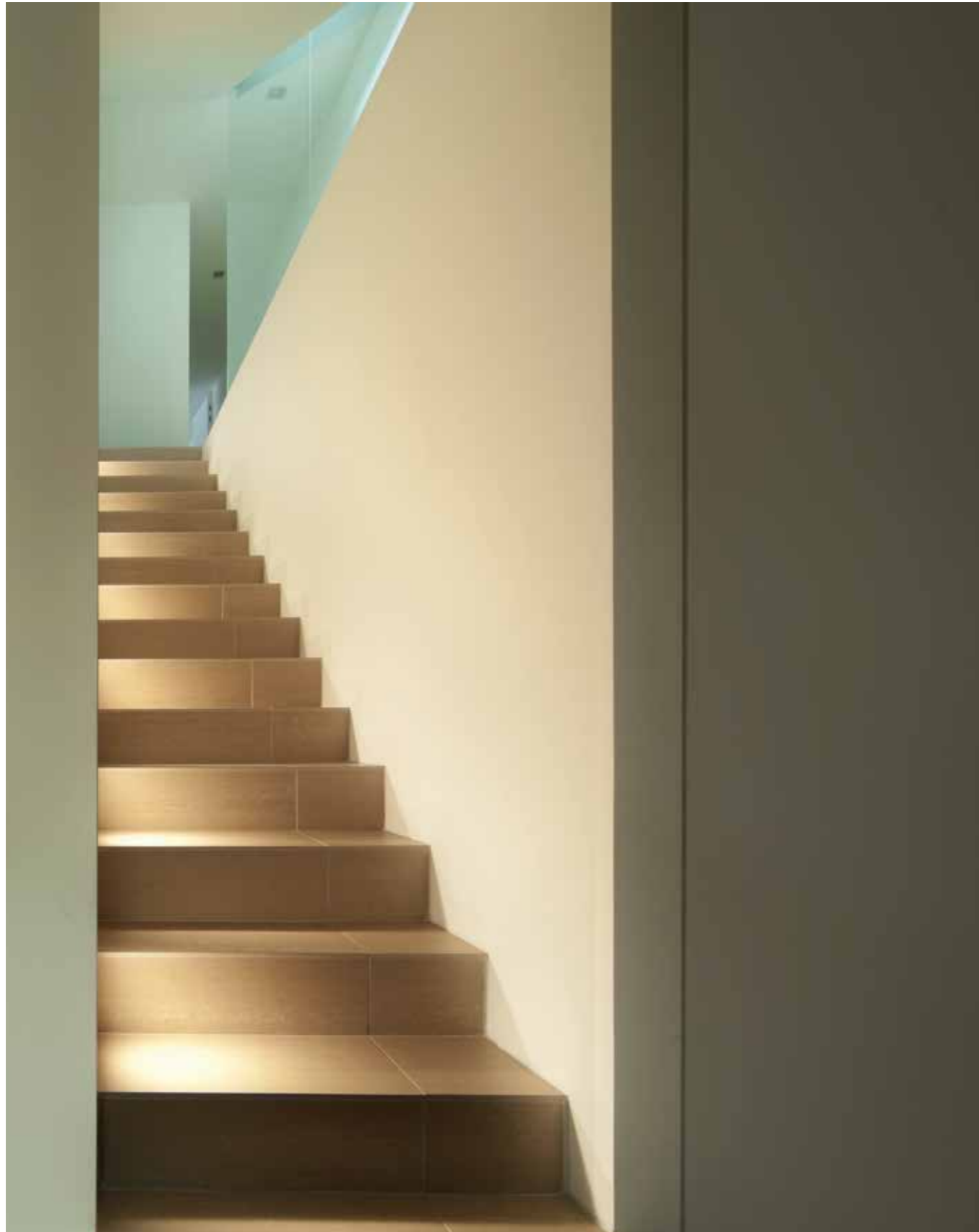


704D P.276



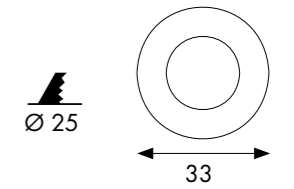
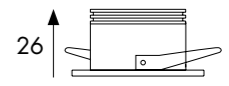
724D P.277

Available ● Black/Negro/Noir



00901

Downlight LED Micro



009 01 - 29 6 3 - 90

1 - Model	2 - W	3 - Driver	4 - Brand Chip	5 - K	6 - Color
009	1	21 - ON-OFF AC100-240V PF >0,5	5 - Epistar	3 - 3000 65 Lm System 100 Lm Source	90 T. White / Blanco T. / Blanc T.

LED CHIP: COB - CRI>80 - L70 / 30.000H - 100 lm/W - RG1

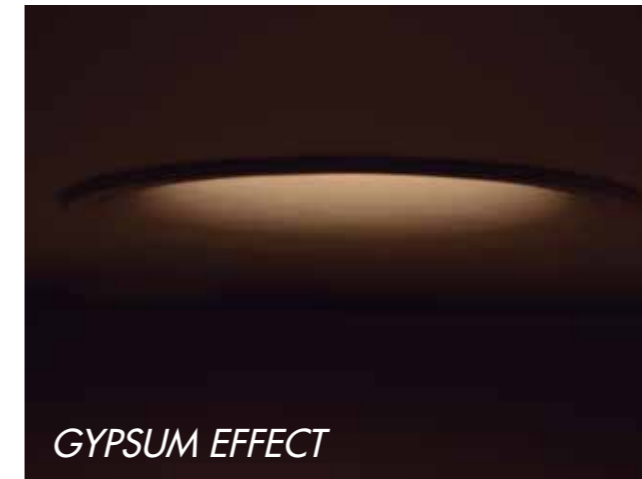


The above information is basic. For updated and more accurate information, please consult Technical Data Sheet on www.jisoiluminacion.com
Consult general issues - www.jisoiluminacion.com (Download - Technical Information)

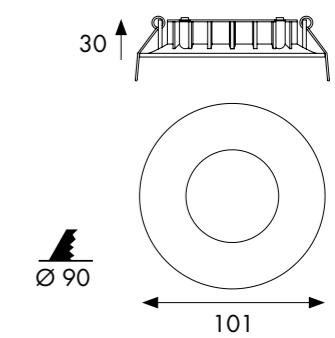


55108

Downlight LED



Compatible lighting with installations that require UGR<19



551 08 - 21 8 4 - 90

1 - Model	2 - W	3 - Driver	4 - Brand Chip	5 - K	6 - Color
551	8	<ul style="list-style-type: none"> 21 - ON-OFF AC220-240V PF >0,9 23 - ON-OFF AC220-240V PF >0,9 47 - DALI/PUSH/1-10V AC200-240V PF >0,9 51 - Trailing Edge AC220-240V PF >0,9 SMART CONTROL See Page. 414 	8 - Edison	<ul style="list-style-type: none"> 0 - CCT Switch (2700K-3000K-4000K) 3 - 3000 428 Lm System 960 Lm Source 4 - 4000 456 Lm System 960 Lm Source 	<ul style="list-style-type: none"> 01 Black / Negro / Noir (CCT Switch) 90 T. White / Blanco T. / Blanc T. (3000K&4000K)

▼ Accessories not included

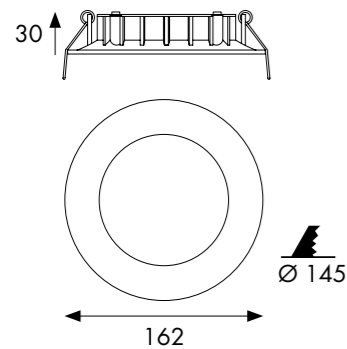
Emergency Kit	
2DCLEDK1	1 h
2DCLEDK2	3 h
2DCLEDK5	3 h
2DCLEDK29	3 h

LED CHIP: SMD 2835 - CRI>80 - L70B10 / 50.000H - 120lm/W (4000K) - RGO



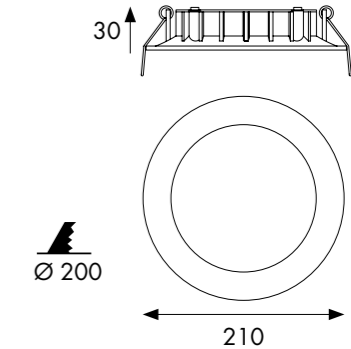
The above information is basic. For updated and more accurate information, please consult Technical Data Sheet on www.jisoiluminacion.com
 Consult general issues - www.jisoiluminacion.com (Download - Technical Information)
 Consult Instructions Emergency kit on www.jisoiluminacion.com
 Consult instructions to Driver configuration - page 470
 Consult instructions to Driver dimmable Trailing Edge, 1-10V, DALI and Push - www.jisoiluminacion.com (Download - Technical Information)
 Consult instructions to Driver dimmable Smart Control - page 414

55115
Downlight LED



Compatible lighting with installations that require UGR<19

55122
Downlight LED



Compatible lighting with installations that require UGR<19

551 15 - 21 8 4 - 90

1 - Model	2 - W	3 - Driver	4 - Brand Chip	5 - K	6 - Color
551	15	<ul style="list-style-type: none"> 21 - ON-OFF AC220-240V PF >0,9 23 - ON-OFF AC220-240V PF >0,95 47 - DALI/PUSH/1-10V AC200-240V PF >0,95 51 - Trailing Edge AC220-240V PF >0,9 SMART CONTROL See Page. 414 	8 - Edison	<ul style="list-style-type: none"> 3 - 3000 902 Lm System 1800 Lm Source 4 - 4000 1085 Lm System 1800 Lm Source 	<ul style="list-style-type: none"> 90 T. White / Blanco T. / Blanc T.

▼ Accessories not included

Emergency Kit	
2DCLEDK1	1 h
2DCLEDK2	3 h
2DCLEDK5	3 h
2DCLEDK29	3 h

LED CHIP: SMD 2835 - CRI>80 - L70B10 / 50.000H - 120lm/W (4000K) - RGO



The above information is basic. For updated and more accurate information, please consult Technical Data Sheet on www.jisoiluminacion.com
 Consult general issues - www.jisoiluminacion.com (Download - Technical Information)
 Consult Instructions Emergency kit on www.jisoiluminacion.com
 Consult instructions to Driver configuration - page 470
 Consult instructions to Driver dimmable Trailing Edge, 1-10V, DALI and Push - www.jisoiluminacion.com (Download - Technical Information)
 Consult instructions to Driver dimmable Smart Control - page 414

551 22 - 21 8 4 - 90

1 - Model	2 - W	3 - Driver	4 - Brand Chip	5 - K	6 - Color
551	22	<ul style="list-style-type: none"> 21 - ON-OFF AC220-240V PF >0,9 23 - ON-OFF AC220-240V PF >0,95 47 - DALI/PUSH/1-10V AC200-240V PF >0,95 51 - Trailing Edge AC220-240V PF >0,9 SMART CONTROL See Page. 414 	8 - Edison	<ul style="list-style-type: none"> 0 - CCT Switch (2700K-3000K-4000K) 3 - 3000 1722 Lm System 2640 Lm Source 4 - 4000 1789 Lm System 2640 Lm Source 	<ul style="list-style-type: none"> 01 Black / Negro / Noir (CCT Switch) 90 T. White / Blanco T. / Blanc T. (3000K&4000K)

▼ Accessories not included

Trim to cover hole	DC51040 - 200-230
Emergency Kit	
2DCLEDK1	1 h
2DCLEDK2	3 h
2DCLEDK5	3 h
2DCLEDK29	3 h

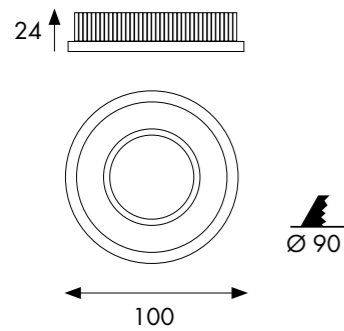
LED CHIP: SMD 2835 - CRI>80 - L70B10 / 50.000H - 120lm/W (4000K) - RGO



The above information is basic. For updated and more accurate information, please consult Technical Data Sheet on www.jisoiluminacion.com
 Consult general issues - www.jisoiluminacion.com (Download - Technical Information)
 Consult Instructions Emergency kit on www.jisoiluminacion.com
 Consult instructions to Driver configuration - page 470
 Consult instructions to Driver dimmable Trailing Edge, 1-10V, DALI and Push - www.jisoiluminacion.com (Download - Technical Information)
 Consult instructions to Driver dimmable Smart Control - page 414



50608
Downlight LED

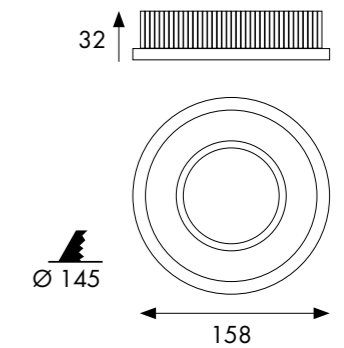


Compatible lighting with installations that require UGR<19

50615
Downlight LED



Compatible lighting with installations that require UGR<19



506 08 - 21 8 4 - 90

1 - Model	2 - W	3 - Driver	4 - Brand Chip	5 - K	6 - Color
506	8	<ul style="list-style-type: none"> 21 - ON-OFF AC220-240V PF >0,9 23 - ON-OFF AC220-240V PF >0,9 47 - DALI/PUSH/1-10V AC200-240V PF >0,9 51 - Trailing Edge AC220-240V PF >0,9 SMART CONTROL See Page. 414 	8 - Edison	<ul style="list-style-type: none"> 3 - 3000 478 Lm System 960 Lm Source 4 - 4000 522 Lm System 960 Lm Source 	90 T. White / Blanco T. / Blanc T.

▼ Accessories not included

Emergency Kit	
2DCLEDK1	1 h
2DCLEDK2	3 h
2DCLEDK5	3 h
2DCLEDK29	3 h

LED CHIP: SMD 2835 - CRI>80 - L70B10 / 50.000H - 120lm/W (4000K) - RGO



The above information is basic. For updated and more accurate information, please consult Technical Data Sheet on www.jisoiluminacion.com
 Consult general issues - www.jisoiluminacion.com (Download - Technical Information)
 Consult Instructions Emergency kit on www.jisoiluminacion.com
 Consult instructions to Driver configuration - page 470
 Consult instructions to Driver dimmable Trailing Edge, 1-10V, DALI and Push - www.jisoiluminacion.com (Download - Technical Information)
 Consult instructions to Driver dimmable Smart Control - page 414

506 15 - 21 8 4 - 90

1 - Model	2 - W	3 - Driver	4 - Brand Chip	5 - K	6 - Color
506	15	<ul style="list-style-type: none"> 21 - ON-OFF AC220-240V PF >0,9 23 - ON-OFF AC220-240V PF >0,95 47 - DALI/PUSH/1-10V AC200-240V PF >0,95 51 - Trailing Edge AC220-240V PF >0,9 SMART CONTROL See Page. 414 	8 - Edison	<ul style="list-style-type: none"> 3 - 3000 965 Lm System 1800 Lm Source 4 - 4000 1016 Lm System 1800 Lm Source 	90 T. White / Blanco T. / Blanc T.

▼ Accessories not included

Emergency Kit	
2DCLEDK1	1 h
2DCLEDK2	3 h
2DCLEDK5	3 h
2DCLEDK29	3 h

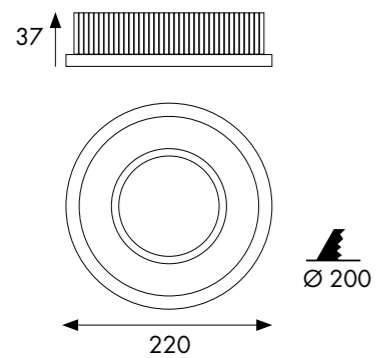
LED CHIP: SMD 2835 - CRI>80 - L70B10 / 50.000H - 120lm/W (4000K) - RGO



The above information is basic. For updated and more accurate information, please consult Technical Data Sheet on www.jisoiluminacion.com
 Consult general issues - www.jisoiluminacion.com (Download - Technical Information)
 Consult Instructions Emergency kit on www.jisoiluminacion.com
 Consult instructions to Driver configuration - page 470
 Consult instructions to Driver dimmable Trailing Edge, 1-10V, DALI and Push - www.jisoiluminacion.com (Download - Technical Information)
 Consult instructions to Driver dimmable Smart Control - page 414



50625
Downlight LED

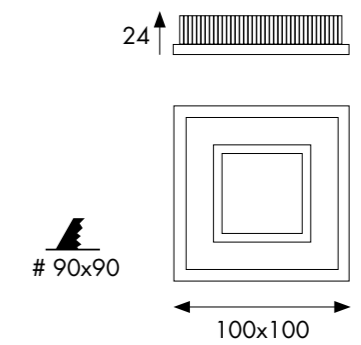


Compatible lighting with installations that require UGR<19

50708*
Downlight LED



Compatible lighting with installations that require UGR<19



506 25 - 21 8 4 - 90

1 - Model	2 - W	3 - Driver	4 - Brand Chip	5 - K	6 - Color
506	25	<ul style="list-style-type: none"> 21 - ON-OFF AC220-240V PF >0,9 23 - ON-OFF AC220-240V PF >0,95 47 - DALI/PUSH/1-10V AC200-240V PF >0,95 51 - Trailing Edge AC220-240V PF >0,9 SMART CONTROL See Page. 414 	8 - Edison	<ul style="list-style-type: none"> 3 - 3000 1835 Lm System 3000 Lm Source 4 - 4000 1932 Lm System 3000 Lm Source 	90 T. White / Blanco T. / Blanc T.

▼ Accessories not included

- Waterproof silicone
- G01-200213 - RT2012
- Trim to cover hole
- DC50322 - 200-240
- Emergency Kit
 - 2DCLEDK1 1 h
 - 2DCLEDK2 3 h
 - 2DCLEDK5 3 h
 - 2DCLEDK29 3 h

LED CHIP: SMD 2835 - CRI>80 - L70B10 / 50.000H - 120lm/W (4000K) - RGO



The above information is basic. For updated and more accurate information, please consult Technical Data Sheet on www.jisoiluminacion.com
 Consult general issues - www.jisoiluminacion.com (Download - Technical Information)
 Consult Instructions Emergency kit on www.jisoiluminacion.com
 Consult instructions to Driver configuration - page 470
 Consult instructions to Driver dimmable Trailing Edge, 1-10V, DALI and Push - www.jisoiluminacion.com (Download - Technical Information)
 Consult instructions to Driver dimmable Smart Control - page 414

507 08 - 21 8 4 - 90

1 - Model	2 - W	3 - Driver	4 - Brand Chip	5 - K	6 - Color
507	8	<ul style="list-style-type: none"> 21 - ON-OFF AC220-240V PF >0,9 23 - ON-OFF AC220-240V PF >0,9 47 - DALI/PUSH/1-10V AC200-240V PF >0,9 51 - Trailing Edge AC220-240V PF >0,9 SMART CONTROL See Page. 414 	8 - Edison	<ul style="list-style-type: none"> 3 - 3000 518 Lm System 960 Lm Source 4 - 4000 545 Lm System 960 Lm Source 	90 T. White / Blanco T. / Blanc T.

▼ Accessories not included

Emergency Kit	
2DCLEDK1	1 h
2DCLEDK2	3 h
2DCLEDK5	3 h
2DCLEDK29	3 h

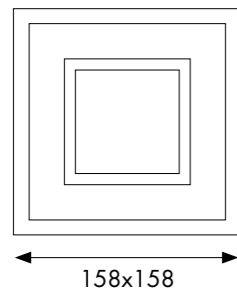
LED CHIP: SMD 2835 - CRI>80 - L70B10 / 50.000H - 120lm/W (4000K) - RGO



The above information is basic. For updated and more accurate information, please consult Technical Data Sheet on www.jisoiluminacion.com
 Consult general issues - www.jisoiluminacion.com (Download - Technical Information)
 Consult Instructions Emergency kit on www.jisoiluminacion.com
 Consult instructions to Driver configuration - page 470
 Consult instructions to Driver dimmable Trailing Edge, 1-10V, DALI and Push - www.jisoiluminacion.com (Download - Technical Information)
 Consult instructions to Driver dimmable Smart Control - page 414
 * Available reference up to the end of stock.

INDOOR Technical

Capsule. COMFORT Recessed Technical | Light Integrated LED



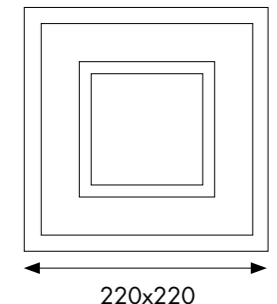
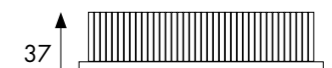
145x145

50715*

Downlight LED

50725

Downlight LED



200x200

507 15 - 21 8 4 - 90

1 - Model	2 - W	3 - Driver	4 - Brand Chip	5 - K	6 - Color
507	15	<ul style="list-style-type: none"> 21 - ON-OFF AC220-240V PF >0,9 23 - ON-OFF AC220-240V PF >0,95 47 - DALI/PUSH/1-10V AC200-240V PF >0,95 51 - Trailing Edge AC220-240V PF >0,9 SMART CONTROL See Page. 414 	8 - Edison	<ul style="list-style-type: none"> 3 - 3000 1036 Lm System 1800 Lm Source 4 - 4000 1091 Lm System 1800 Lm Source 	90 T. White / Blanco T. / Blanc T.

▼ Accessories not included

Emergency Kit	
2DCLEDK1	1 h
2DCLEDK2	3 h
2DCLEDK5	3 h
2DCLEDK29	3 h

LED CHIP: SMD 2835 - CRI>80 - L70B10 / 50.000H - 120lm/W (4000K) - RGO



The above information is basic. For updated and more accurate information, please consult Technical Data Sheet on www.jisoiluminacion.com

Consult general issues - www.jisoiluminacion.com (Download - Technical Information)

Consult Instructions Emergency kit on www.jisoiluminacion.com

Consult instructions to Driver configuration - page 470

Consult instructions to Driver dimmable Trailing Edge, 1-10V, DALI and Push - www.jisoiluminacion.com (Download - Technical Information)

Consult instructions to Driver dimmable Smart Control - page 414

* Available reference up to the end of stock.

507 25 - 21 8 4 - 90

1 - Model	2 - W	3 - Driver	4 - Brand Chip	5 - K	6 - Color
507	25	<ul style="list-style-type: none"> 21 - ON-OFF AC220-240V PF >0,9 23 - ON-OFF AC220-240V PF >0,95 47 - DALI/PUSH/1-10V AC200-240V PF >0,95 51 - Trailing Edge AC220-240V PF >0,9 SMART CONTROL See Page. 414 	8 - Edison	<ul style="list-style-type: none"> 3 - 3000 1795 Lm System 3000 Lm Source 4 - 4000 1889 Lm System 3000 Lm Source 	90 T. White / Blanco T. / Blanc T.

▼ Accessories not included

Trim to cover hole

DC50422 - 200-240

Emergency Kit

2DCLEDK1	1 h
2DCLEDK2	3 h
2DCLEDK5	3 h
2DCLEDK29	3 h

LED CHIP: SMD 2835 - CRI>80 - L70B10 / 50.000H - 120lm/W (4000K) - RGO



The above information is basic. For updated and more accurate information, please consult Technical Data Sheet on www.jisoiluminacion.com

Consult general issues - www.jisoiluminacion.com (Download - Technical Information)

Consult Instructions Emergency kit on www.jisoiluminacion.com

Consult instructions to Driver configuration - page 470

Consult instructions to Driver dimmable Trailing Edge, 1-10V, DALI and Push - www.jisoiluminacion.com (Download - Technical Information)

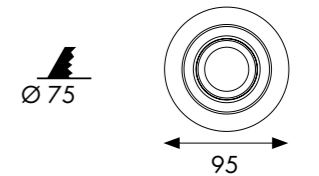
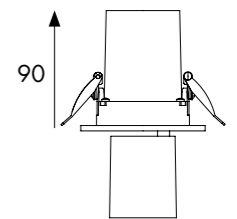
Consult instructions to Driver dimmable Smart Control - page 414



Compatible lighting with installations that require UGR<19

59308

Downlight LED Direccionable
Downlight LED Directional
Downlight LED Orientable



593 08 - 21 5 3 - 90

1 - Model	2 - W	3 - Driver	4 - Brand Chip	5 - K	6 - Color
593	8	<ul style="list-style-type: none"> 21 - ON-OFF AC220-240V PF >0,9 37 - 1-10V AC220-240V PF >0,95 51 - Trailing Edge (6W) AC220-240V PF >0,9 D7 - DALI/PUSH AC220-240V PF >0,95 SMART CONTROL See Page. 414 	5 - Edison	<ul style="list-style-type: none"> 2 - 2700K 902 Lm System 1048 Lm Source 3 - 3000 942 Lm System 1080 Lm Source 	<ul style="list-style-type: none"> 01 Black / Negro / Noir 90 T. White / Blanco T. / Blanc T.

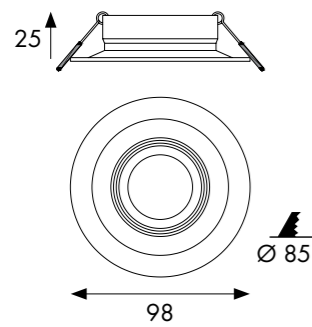
▼ Accessories not included

Emergency Kit		
2DCLEDK1	TCI	1 h
2DCLEDK2	TCI	3 h

LED CHIP: COB - CRI>80 - L70B10 / 50.000H - 138lm/W (3000K) - RG1



The above information is basic. For updated and more accurate information, please consult Technical Data Sheet on www.jisoiluminacion.com
 Consult general issues - www.jisoiluminacion.com (Download - Technical Information)
 Consult Instructions Emergency kit on www.jisoiluminacion.com
 Consult instructions to Driver configuration - page 470
 Consult instructions to Driver dimmable Trailing Edge, 1-10V, DALI and Push - www.jisoiluminacion.com (Download - Technical Information)
 Consult instructions to Driver dimmable Smart Control - page 414



739D

Empotrable Basculante
Recessed Swivel Spotlight
Encastré Basculant



739D - 90

1 - Model	2 - Color
739D	90 Tec. White / Blanco Téc. / Blanc Tech.

▼ Optional

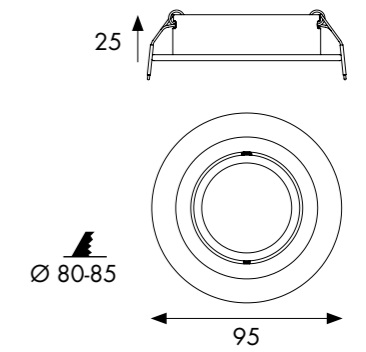
LED Module COB (page 388-389)	LED Module SMD (page 387)	Lampholder (page 390)
<ul style="list-style-type: none"> HLX08-2152 2700K 828Lm HLX08-2153 3000K 849Lm HLX08-2154 4000K 891Lm 	<ul style="list-style-type: none"> HLP06-1990 CCT Switch 3000K 432Lm 4000K 467Lm 	<ul style="list-style-type: none"> 1PHG GU-10 100-240V 1PHB GU-10/GZ-10 100-240V 1DH1 Fast Safety connector 1DH3 GU-10 Safety distancing
<ul style="list-style-type: none"> HLX12-2152 2700K 1207Lm HLX12-2153 3000K 1238Lm HLX12-2154 4000K 1300Lm 	<p>Bulb LED GU-10 (page 386)</p> <ul style="list-style-type: none"> 1LHG-300 CCT Switch 3000K 452Lm 4000K 478Lm 	
<ul style="list-style-type: none"> HLHLX-01 Honeycomb Acc. 		



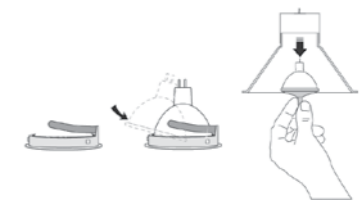
The above information is basic. For updated and more accurate information, please consult Technical Data Sheet on www.jisoiluminacion.com

703D

Empotrable Basculante Orientable
Recessed Swivel and Adjustable Spotlight
Encastré Basculant et Orientable



Compatible lighting with installations that require UGR<19



703D - 90

1 - Model	2 - Color
703D	<ul style="list-style-type: none"> 01 Black / Negro / Noir 05 Inox 90 Tec. White / Blanco Téc. / Blanc Tech.

▼ Optional

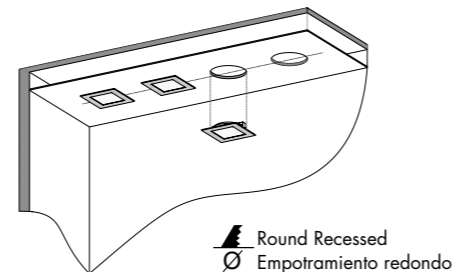
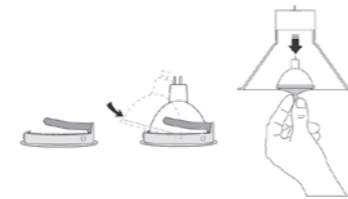
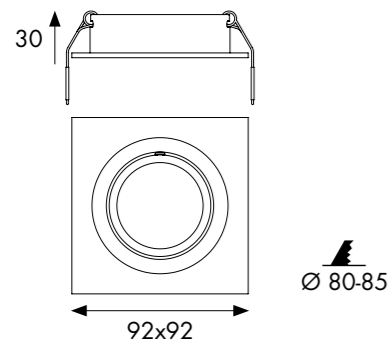
LED Module COB (page 388-389)	LED Module SMD (page 387)	Lampholder (page 390)
<ul style="list-style-type: none"> HLX08-2152 2700K 828Lm HLX08-2153 3000K 849Lm HLX08-2154 4000K 891Lm 	<ul style="list-style-type: none"> HLP06-1990 CCT Switch 3000K 432Lm 4000K 467Lm 	<ul style="list-style-type: none"> 1PHG GU-10 100-240V 1PHB GU-10/GZ-10 100-240V 1DH1 Fast Safety connector 1DH3 GU-10 Safety distancing
<ul style="list-style-type: none"> HLX12-2152 2700K 1207Lm HLX12-2153 3000K 1238Lm HLX12-2154 4000K 1300Lm 	<p>Bulb LED GU-10 (page 386)</p> <ul style="list-style-type: none"> 1LHG-300 CCT Switch 3000K 452Lm 4000K 478Lm 	
<ul style="list-style-type: none"> HLHLX-01 Honeycomb Acc. 		



The above information is basic. For updated and more accurate information, please consult Technical Data Sheet on www.jisoiluminacion.com

704D

Empotrable Basculante Orientable
Recessed Swivel and Adjustable Spotlight
Encastré Basculant et Orientable



704D - 90

1 - Model	2 - Color
704D	01 Black / Negro / Noir
	05 Inox
	90 Tec. White / Blanco Téc. / Blanc Tech.

▼ Optional

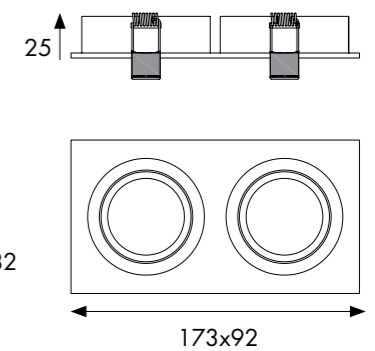
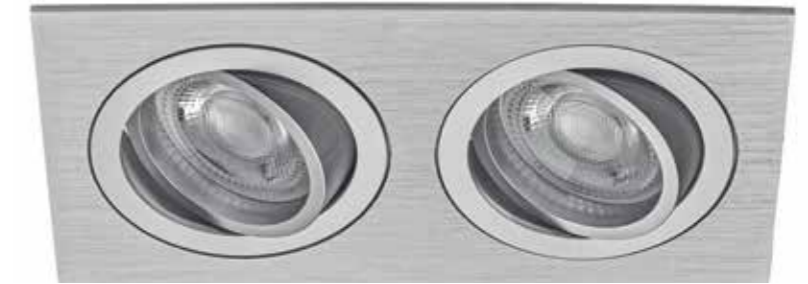
LED Module COB (page 388-389)	LED Module SMD (page 387)	Lampholder (page 390)
HLX08-2152 2700K 828Lm	HLP06-1990 CCT Switch	1PHG GU-10 100-240V
HLX08-2153 3000K 849Lm	3000K 432Lm	1PHB GU-10/GZ-10 100-240V
HLX08-2154 4000K 891Lm	4000K 467Lm	1DH1 Fast Safety connector
HLX12-2152 2700K 1207Lm	Bulb LED GU-10 (page 386)	1DH3 GU-10 Safety distancing
HLX12-2153 3000K 1238Lm		1LHG-300 CCT Switch
HLX12-2154 4000K 1300Lm		3000K 452Lm
HLHLX-01 Honeycomb Acc.	4000K 478Lm	



The above information is basic. For updated and more accurate information, please consult Technical Data Sheet on www.jisoiluminacion.com

724D

Empotrable Basculante Orientable
Recessed Swivel and Adjustable Spotlight
Encastré Basculant et Orientable



724D - 90

1 - Model	2 - Color
724D	05 Inox
	90 Tec. White / Blanco Téc. / Blanc Tech.

▼ Optional

LED Module COB (page 388-389)	LED Module SMD (page 387)	Lampholder (page 390)
HLX08-2152 2700K 828Lm	HLP06-1990 CCT Switch	1PHG GU-10 100-240V
HLX08-2153 3000K 849Lm	3000K 432Lm	1PHB GU-10/GZ-10 100-240V
HLX08-2154 4000K 891Lm	4000K 467Lm	1DH1 Fast Safety connector
HLX12-2152 2700K 1207Lm	Bulb LED GU-10 (page 386)	1DH3 GU-10 Safety distancing
HLX12-2153 3000K 1238Lm		1LHG-300 CCT Switch
HLX12-2154 4000K 1300Lm		3000K 452Lm
HLHLX-01 Honeycomb Acc.	4000K 478Lm	

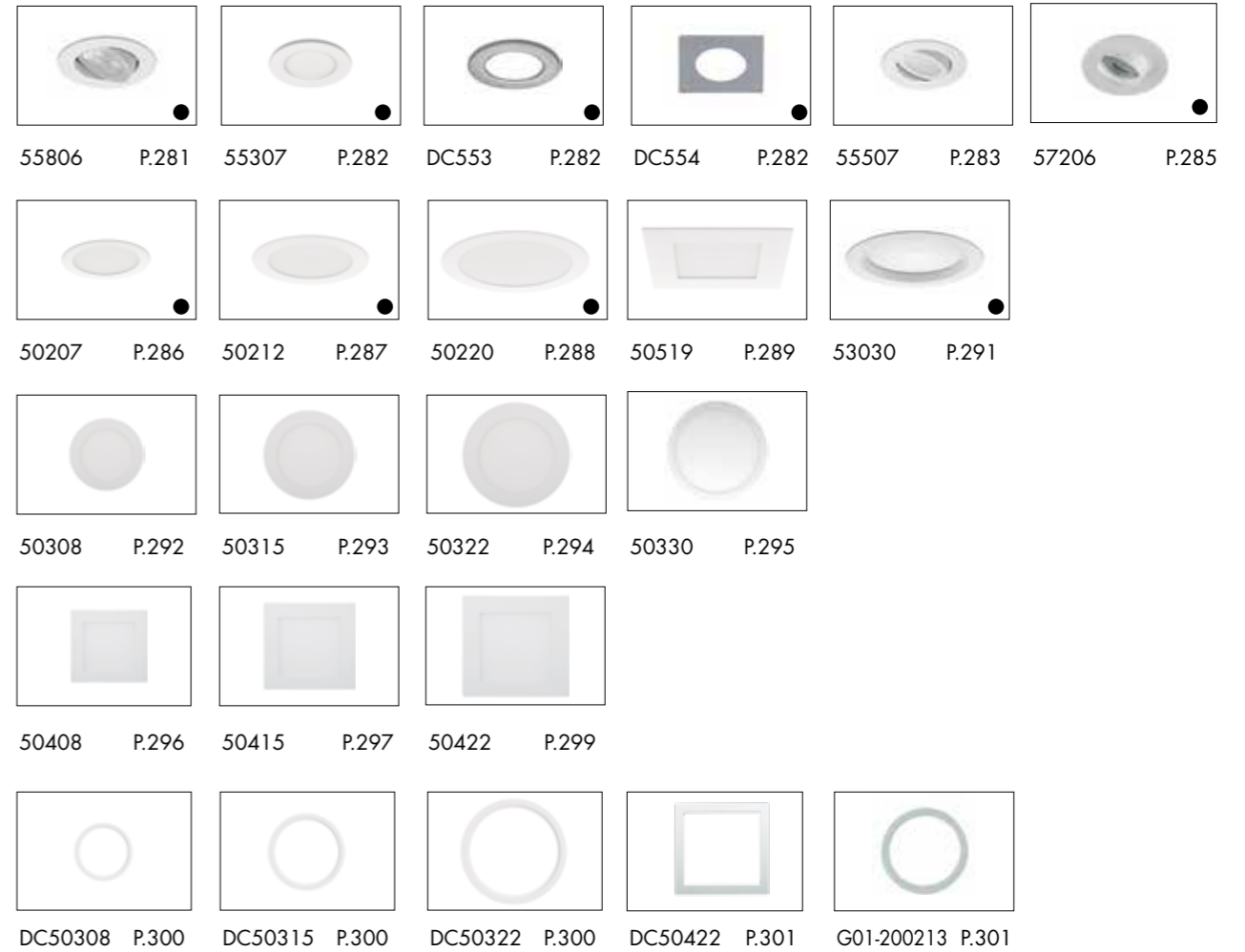


The above information is basic. For updated and more accurate information, please consult Technical Data Sheet on www.jisoiluminacion.com



Technical. Factory

Light Integrated LED P.280

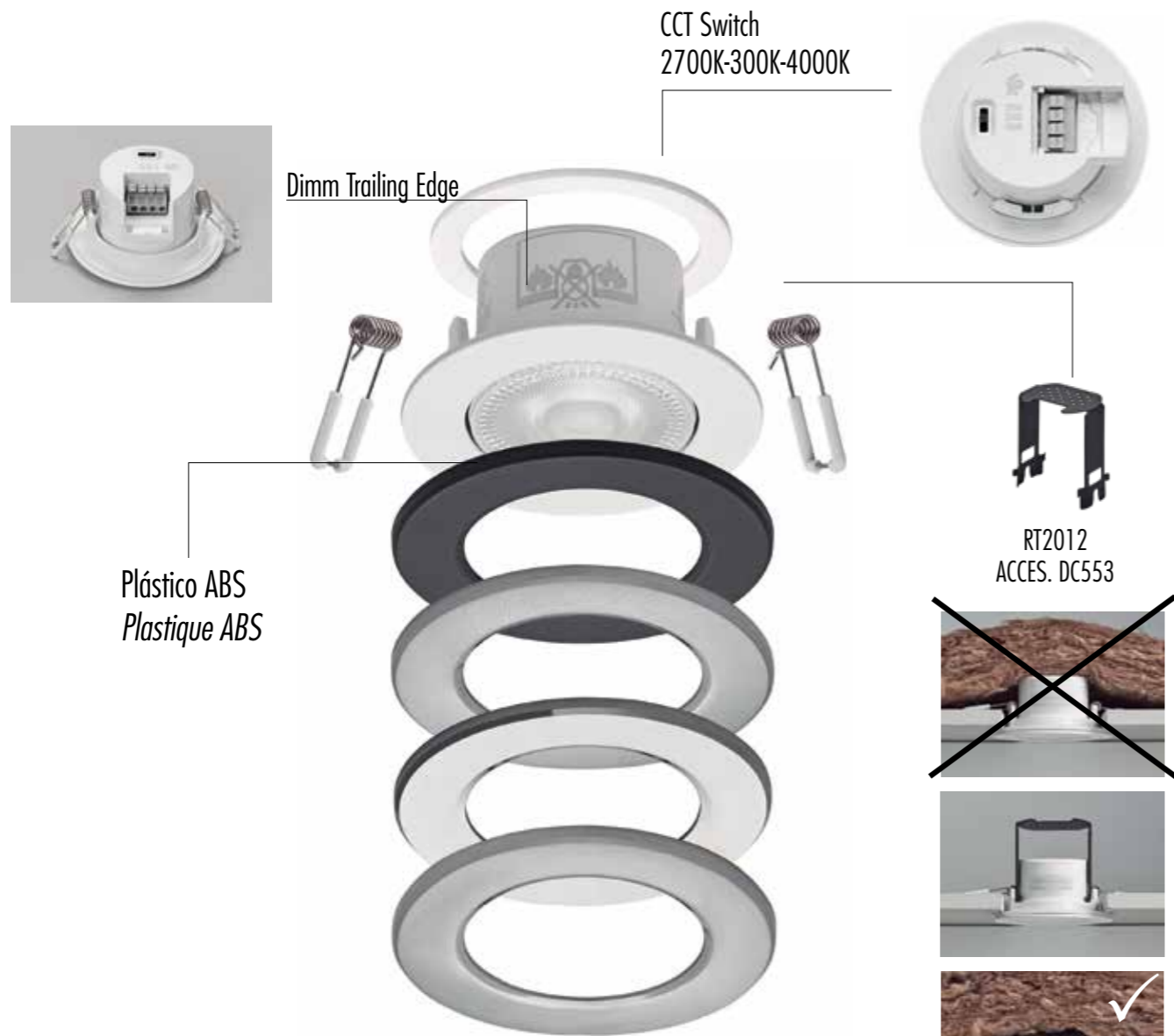


Light Without Technology P.302



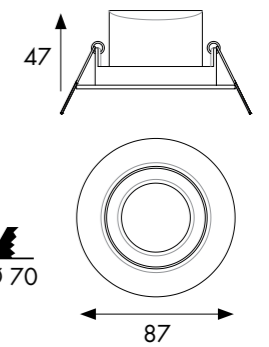
Available ● Black/Negro/Noir

 More Technical products in our catalogue BASIC LED by JISO



55806

Downlight LED Basculante
Downlight LED Swivel
Downlight LED Basculant



▼ Accessories not included



Trim to cover hole

- DC55301
- DC55304
- DC55311
- DC55312
- DC55401
- DC55404
- DC55411
- DC55412
- DC55490

Emergency Kit

1EH-3	TCl	1 h
1EH-4	TCl	3 h



558 06 - 19 8 0 - 90

1 - Model	2 - W	3 - Driver	4 - Brand Chip	5 - K	6 - Color
558	6	<ul style="list-style-type: none"> ▲ 19 - Trailing Edge AC220-240V PF >0,7 ▲ SMART CONTROL See Page. 414 	8 - Bridgelux	<ul style="list-style-type: none"> 0 - CCT Switch ■ 2700 540 Lm System 720 Lm Source ■ 3000 600 Lm System 720 Lm Source ■ 4000 597 Lm System 720 Lm Source 	<ul style="list-style-type: none"> ● 90 T. White / Blanco T. / Blanc T.

LED CHIP: SMD 2835 - CRI>80 - L70 / 25.000H - 120 lm/W (4000K) - RG1



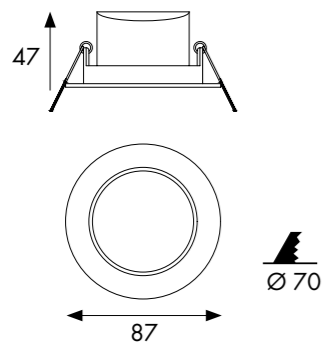
The above information is basic. For updated and more accurate information, please consult Technical Data Sheet on www.jisoiluminacion.com
 Consult general issues - www.jisoiluminacion.com (Download - Technical Information)
 Consult Instructions Emergency kit on www.jisoiluminacion.com
 Consult instructions to Driver configuration - page 470
 Consult instructions to Driver dimmable Trailing Edge, 1-10V, DALI and Push - www.jisoiluminacion.com (Download - Technical Information)
 Consult instructions to Driver dimmable Smart Control - page 414





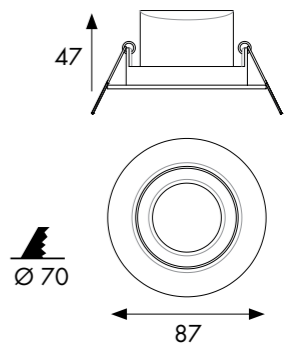
55307

Downlight LED estanco
Downlight LED watertight
Downlight LED étanche



55507*

Downlight LED Basculante
Downlight LED Swivel
Downlight LED Basculant



Compatible lighting with installations that require UGR<19

553 07 - 19 8 0 - 90

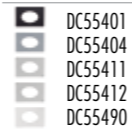
1 - Model	2 - W	3 - Driver	4 - Brand Chip	5 - K	6 - Color
553	7	<ul style="list-style-type: none"> 19 - Trailing Edge AC220-240V PF >0,7 SMART CONTROL See Page. 414 	8 - Bridgelux	<ul style="list-style-type: none"> 0 - CCT Switch 2700 522 Lm System 840 Lm Source 3000 574 Lm System 840 Lm Source 4000 543 Lm System 840 Lm Source 	90 T. White / Blanco T. / Blanc T.

▼ Accessories not included



DC553 - RT2012

Trim to cover hole



Emergency Kit

1EH-3	TCl	1 h
1EH-4	TCl	3 h

LED CHIP: SMD 2835 - CRI>80 - L70 / 25.000H - 120 lm/W (4000K) - RG1



The above information is basic. For updated and more accurate information, please consult Technical Data Sheet on www.jisoiluminacion.com
 Consult general issues - www.jisoiluminacion.com (Download - Technical Information)
 Consult Instructions Emergency kit on www.jisoiluminacion.com
 Consult instructions to Driver configuration - page 470
 Consult instructions to Driver dimmable Trailing Edge, 1-10V, DALI and Push - www.jisoiluminacion.com (Download - Technical Information)
 Consult instructions to Driver dimmable Smart Control - page 414

555 07 - 19 8 4 - 90

1 - Model	2 - W	3 - Driver	4 - Brand Chip	5 - K	6 - Color
555	7	<ul style="list-style-type: none"> 19 - Trailing Edge AC220-240V PF >0,85 SMART CONTROL See Page. 414 	8 - Sanan	<ul style="list-style-type: none"> 3 - 3000 430 Lm System 798 Lm Source 4 - 4000 453 Lm System 840 Lm Source 	90 T. White / Blanco T. / Blanc T.

▼ Accessories not included



Trim to cover hole



LED CHIP: SMD 2835 - CRI>80 - L70 / 15.000H - 120 lm/W (4000K) - RG1



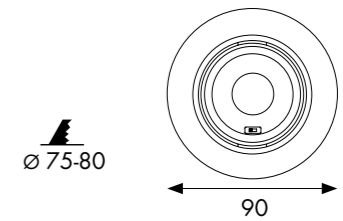
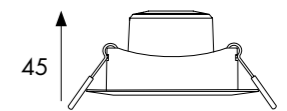
The above information is basic. For updated and more accurate information, please consult Technical Data Sheet on www.jisoiluminacion.com
 Consult general issues - www.jisoiluminacion.com (Download - Technical Information)
 Consult Instructions Emergency kit on www.jisoiluminacion.com
 Consult instructions to Driver configuration - page 470
 Consult instructions to Driver dimmable Trailing Edge, 1-10V, DALI and Push - www.jisoiluminacion.com (Download - Technical Information)
 Consult instructions to Driver dimmable Smart Control - page 414

* Available reference up to the end of stock.



57206

Empotrable Basculante UGR /Ambiente
Recessed Swivel UGR /Ambience Spotlight
Encastré Basculant UGR /d'Ambiance



572 06 - 19 9 0 - 90

1 2 3 4 5 6

1 - Model	2 - W	3 - Driver	4 - Brand Chip	5 - K	6 - Color
572	6	▲ 19 - Trailing Edge AC220-240V PF >0,9 ▲ SMART CONTROL See Page. 414	9 - Everlight	0 - CCT Switch ■ 3000 432 Lm System 675 Lm Source ■ 4000 467 Lm System 702 Lm Source	01 Black / Negro / Noir 90 T. White / Blanco T. / Blanc T.

▼ Accessories not included

Emergency Kit		
1EH-3	TCl	1 h
1EH-4	TCl	3 h

LED CHIP: SMD 2835 - CRI>80 - L70B10 / 25.000H - 130lm/W (4000K) - RG1



The above information is basic. For updated and more accurate information, please consult Technical Data Sheet on www.jisoiluminacion.com

LED module information

Consult general issues - www.jisoiluminacion.com (Download - Technical Information)

Consult Instructions Emergency kit on www.jisoiluminacion.com

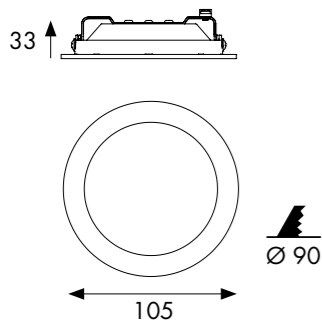
Consult instructions to Driver configuration - page 470

Consult instructions to Driver dimmable Trailing Edge, 1-10V, DALI and Push - www.jisoiluminacion.com (Download - Technical Information)

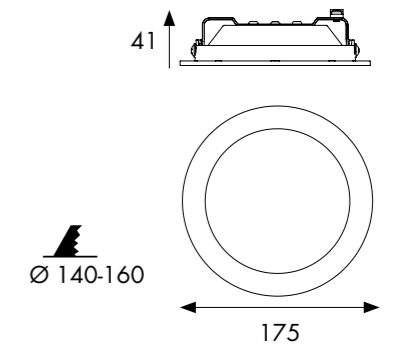
Consult instructions to Driver dimmable Smart Control - page 414



50207
Downlight LED



50212
Downlight LED



502 07 - 29 8 4 - 90

1 - Model	2 - W	3 - Driver	4 - Brand Chip	5 - K	6 - Color
502	7	29 - ON-OFF AC100-240V PF >0,5	8 - Epistar	3 - 3000 435 Lm System 840 Lm Source	01 Black / Negro / Noir
		23 - ON-OFF AC220-240V PF >0,9		4 - 4000 437 Lm System 840 Lm Source	12 Brus. Nickel / Níquel Satinado / Nickel Satiné
				6 - 6000 439 Lm System 910 Lm Source	90 T. White / Blanco T. / Blanc T.

▼ Accessories not included

Emergency Kit	
2DCLEDK1	1 h
2DCLEDK2	3 h
2DCLEDK5	3 h
2DCLEDK29	3 h

LED CHIP: SMD 2835 - CRI>80 - L70B10 / 30.000H - 120lm/W (4000K) - RGO



The above information is basic. For updated and more accurate information, please consult Technical Data Sheet on www.jisoiluminacion.com
Consult general issues - www.jisoiluminacion.com (Download - Technical Information)
Consult Instructions Emergency kit on www.jisoiluminacion.com
Consult instructions to Driver configuration - page 470

502 12 - 29 8 4 - 90

1 - Model	2 - W	3 - Driver	4 - Brand Chip	5 - K	6 - Color
502	12	29 - ON-OFF AC100-240V PF >0,5	8 - Epistar	3 - 3000 771 Lm System 1320 Lm Source	01 Black / Negro / Noir
		23 - ON-OFF AC220-240V PF >0,95		4 - 4000 823 Lm System 1440 Lm Source	12 Brus. Nickel / Níquel Satinado / Nickel Satiné
				6 - 6000 851 Lm System 1560 Lm Source	90 T. White / Blanco T. / Blanc T.

▼ Accessories not included

Emergency Kit	
2DCLEDK1	1 h
2DCLEDK2	3 h
2DCLEDK5	3 h
2DCLEDK29	3 h

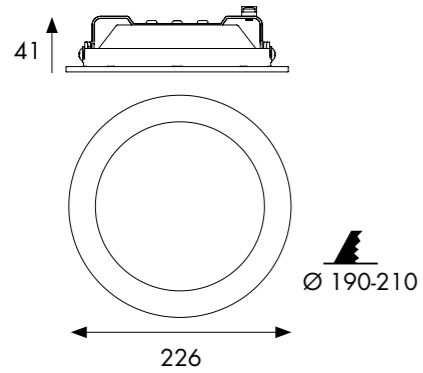
LED CHIP: SMD 2835 - CRI>80 - L70B10 / 30.000H - 120lm/W (4000K) - RGO



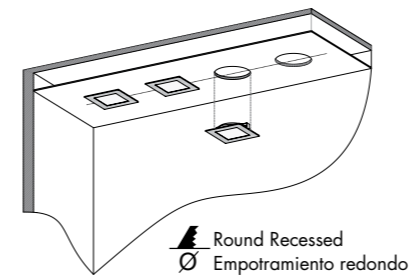
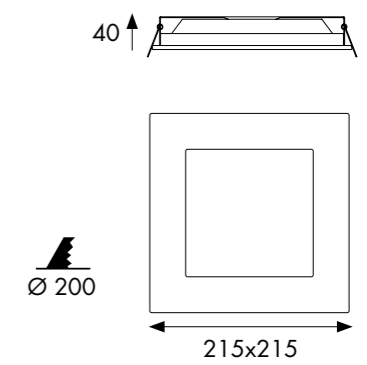
The above information is basic. For updated and more accurate information, please consult Technical Data Sheet on www.jisoiluminacion.com
Consult general issues - www.jisoiluminacion.com (Download - Technical Information)
Consult Instructions Emergency kit on www.jisoiluminacion.com
Consult instructions to Driver configuration - page 470



50220
Downlight LED



50519
Downlight LED



502 20 - 29 8 4 - 90
1 2 3 4 5 6

1 - Model	2 - W	3 - Driver	4 - Brand Chip	5 - K	6 - Color
502	20	29 - ON-OFF AC100-240V PF >0,5	8 - Epistar	3 - 3000 1519 Lm System 2200 Lm Source 4 - 4000 1561 Lm System 2400 Lm Source 6 - 6000 1615 Lm System 2600 Lm Source	01 Black / Negro / Noir 12 Brus. Nickel / Níquel Satinado/ Nickel Satiné 90 T. White / Blanco T. / Blanc T.

▼ Accessories not included

Emergency Kit		
2DCLEDK1	TCl	1 h
2DCLEDK2	TCl	3 h

LED CHIP: SMD 2835 - CRI>80 - L70B10 / 30.000H - 120lm/W (4000K) - RGO



The above information is basic. For updated and more accurate information, please consult Technical Data Sheet on www.jisoiluminacion.com
Consult general issues - www.jisoiluminacion.com (Download - Technical Information)
Consult Instructions Emergency kit on www.jisoiluminacion.com
Consult instructions to Driver configuration - page 470

505 19 - 29 6 4 - 90
1 2 3 4 5 6

1 - Model	2 - W	3 - Driver	4 - Brand Chip	5 - K	6 - Color
505	20	29 - ON-OFF AC100-240V PF >0,9 47 - DALI/PUSH/1-10V AC200-240V PF >0,95	6 - Epistar	4 - 4000 1600 Lm System 2400 Lm Source	12 Brus. Nickel / Níquel Satinado/ Nickel Satiné 90 T. White / Blanco T. / Blanc T.

▼ Accessories not included

Waterproof silicone	
GO1-200213 - RT2012	
Emergency Kit	
2DCLEDK1	1 h
2DCLEDK2	3 h
2DCLEDK5	3 h
2DCLEDK29	3 h

LED CHIP: SMD 2835 - CRI>80 - L70B10 / 30.000H - 120lm/W (4000K) - RGO

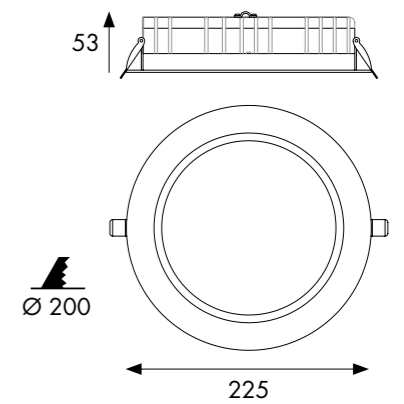


The above information is basic. For updated and more accurate information, please consult Technical Data Sheet on www.jisoiluminacion.com
Consult general issues - www.jisoiluminacion.com (Download - Technical Information)
Consult Instructions Emergency kit on www.jisoiluminacion.com
Consult instructions to Driver configuration - page 470
Consult instructions to Driver dimmable Trailing Edge, 1-10V, DALI and Push - www.jisoiluminacion.com (Download - Technical Information)



53030

Downlight LED



530 30 - 29 5 4 - 90

1 - Model	2 - W	3 - Driver	4 - Brand Chip	5 - K	6 - Color	▼ Accessories not included
530	30	<ul style="list-style-type: none"> ⏻ 29 - ON-OFF AC100-240V PF >0,9 ⏻ 23 - ON-OFF AC220-240V PF >0,95 ⚡ 47 - DALI/PUSH/1-10V AC200-240V PF >0,95 ⚡ 51 - Trailing Edge AC220-240V PF >0,9 ⚡ SMART CONTROL See Page. 414 	5 - Edison	<ul style="list-style-type: none"> 3 - ■ 3000 2611 Lm System 3562 Lm Source 4 - ■ 4000 2741 Lm System 3640 Lm Source 	<ul style="list-style-type: none"> ● 01 * Black / Negro / Noir ● 90 T. White / Blanco T. / Blanc T. 	<ul style="list-style-type: none"> Waterproof silicone G01-200213 - RT2012 Trim to cover hole DC51040 - ▲ 200-230 Emergency Kit 2DCLEDK1 1 h 2DCLEDK2 3 h 2DCLEDK5 3 h 2DCLEDK29 3 h

LED CHIP: COB - CRI>80 - L70B10 / 50.000H - 120lm/W (4000K) - RG0



The above information is basic. For updated and more accurate information, please consult Technical Data Sheet on www.jisoiluminacion.com

Consult general issues - www.jisoiluminacion.com (Download - Technical Information)

Consult Instructions Emergency kit on www.jisoiluminacion.com

Consult instructions to Driver configuration - page 470

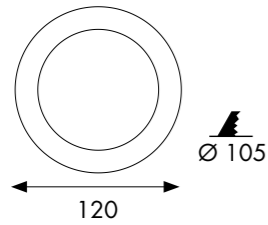
Consult instructions to Driver dimmable Trailing Edge, 1-10V, DALI and Push - www.jisoiluminacion.com (Download - Technical Information)

Consult instructions to Driver dimmable Smart Control - page 414

* Available reference up to the end of stock.



50308
Downlight LED



503 08 - 29 8 4 - 90
1 2 3 4 5 6

1 - Model	2 - W	3 - Driver	4 - Brand Chip	5 - K	6 - Color
503	8	<ul style="list-style-type: none"> 29 - ON-OFF AC100-240V PF >0,5 21 - ON-OFF AC220-240V PF >0,9 47 - DALI/PUSH/1-10V AC200-240V PF >0,9 51 - Trailing Edge AC220-240V PF >0,9 SMART CONTROL See Page. 414 	8 - Edison	<ul style="list-style-type: none"> 3 - 3000 455 Lm System 960 Lm Source 4 - 4000 476 Lm System 960 Lm Source 6 - 6000 498 Lm System 960 Lm Source 	90 T. White / Blanco T. / Blanc T.

▼ Accessories not included

Trim to cover hole

○ DC50308 - 105-140

Emergency Kit

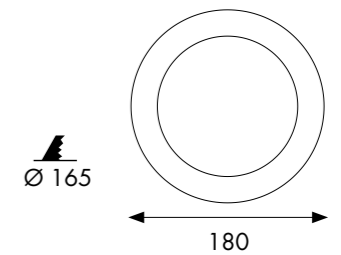
2DCLEDK1	1 h
2DCLEDK2	3 h
2DCLEDK5	3 h
2DCLEDK29	3 h

LED CHIP: SMD 2835 - CRI>80 - L70B10 / 50.000H - 120lm/W (4000K) - RGO



The above information is basic. For updated and more accurate information, please consult Technical Data Sheet on www.jisoiluminacion.com
 Consult general issues - www.jisoiluminacion.com (Download - Technical Information)
 Consult Instructions Emergency kit on www.jisoiluminacion.com
 Consult instructions to Driver configuration - page 470
 Consult instructions to Driver dimmable Trailing Edge, 1-10V, DALI and Push - www.jisoiluminacion.com (Download - Technical Information)
 Consult instructions to Driver dimmable Smart Control - page 414

50315
Downlight LED



503 15 - 29 8 4 - 90
1 2 3 4 5 6

1 - Model	2 - W	3 - Driver	4 - Brand Chip	5 - K	6 - Color
503	15	<ul style="list-style-type: none"> 29 - ON-OFF AC100-240V PF >0,5 21 - ON-OFF AC220-240V PF >0,9 47 - DALI/PUSH/1-10V AC200-240V PF >0,95 51 - Trailing Edge AC220-240V PF >0,9 SMART CONTROL See Page. 414 	8 - Edison	<ul style="list-style-type: none"> 3 - 3000 937 Lm System 1800 Lm Source 4 - 4000 969 Lm System 1800 Lm Source 6 - 6000 1017 Lm System 1800 Lm Source 	90 T. White / Blanco T. / Blanc T.

▼ Accessories not included

Trim to cover hole

○ DC50315 - 172-203

Emergency Kit

2DCLEDK1	1 h
2DCLEDK2	3 h
2DCLEDK5	3 h
2DCLEDK29	3 h

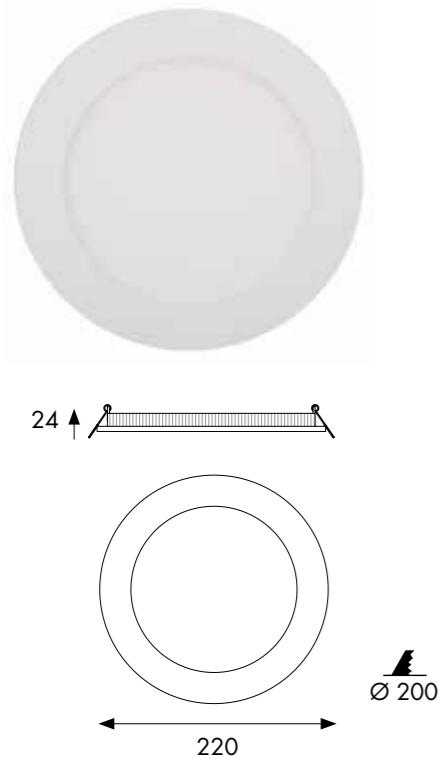
LED CHIP: SMD 2835 - CRI>80 - L70B10 / 50.000H - 120lm/W (4000K) - RGO



The above information is basic. For updated and more accurate information, please consult Technical Data Sheet on www.jisoiluminacion.com
 Consult general issues - www.jisoiluminacion.com (Download - Technical Information)
 Consult Instructions Emergency kit on www.jisoiluminacion.com
 Consult instructions to Driver configuration - page 470
 Consult instructions to Driver dimmable Trailing Edge, 1-10V, DALI and Push - www.jisoiluminacion.com (Download - Technical Information)
 Consult instructions to Driver dimmable Smart Control - page 414

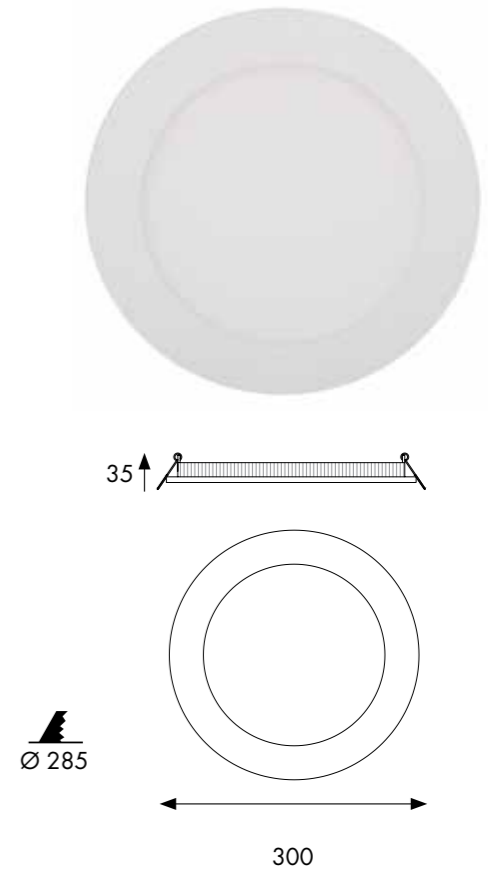
50322

Downlight LED



50330

Downlight LED



503 22 - 29 8 4 - 90

1 - Model	2 - W	3 - Driver	4 - Brand Chip	5 - K	6 - Color
503	22	<ul style="list-style-type: none"> 29 - ON-OFF AC100-240V PF >0,9 21 - ON-OFF AC220-240V PF >0,95 47 - DALI/PUSH/1-10V AC200-240V PF >0,95 51 - Trailing Edge (20W) AC220-240V PF >0,9 SMART CONTROL See Page. 414 	8 - Edison	<ul style="list-style-type: none"> 3 - 3000 1692 Lm System 2640 Lm Source 4 - 4000 1773 Lm System 2640 Lm Source 6 - 6000 1815 Lm System 2860 Lm Source 	<ul style="list-style-type: none"> 04* Aluminium / Aluminio / Aluminium 90 T. White / Blanco T. / Blanc T.

- ▼ Accessories not included
- Waterproof silicone
 - G01-200213 - RT2012
 - Trim to cover hole
 - DC50322 - 200-240
- | Emergency Kit | |
|---------------|-----|
| 2DCLEDK1 | 1 h |
| 2DCLEDK2 | 3 h |
| 2DCLEDK5 | 3 h |
| 2DCLEDK29 | 3 h |

LED CHIP: SMD 2835 - CRI>80 - L70B10 / 50.000H - 120lm/W (4000K) - RGO



The above information is basic. For updated and more accurate information, please consult Technical Data Sheet on www.jisoiluminacion.com
 Consult general issues - www.jisoiluminacion.com (Download - Technical Information)
 Consult Instructions Emergency kit on www.jisoiluminacion.com
 Consult instructions to Driver configuration - page 470
 Consult instructions to Driver dimmable Trailing Edge, 1-10V, DALI and Push - www.jisoiluminacion.com (Download - Technical Information)
 Consult instructions to Driver dimmable Smart Control - page 414

503 30 - 29 8 4 - 90

1 - Model	2 - W	3 - Driver	4 - Brand Chip	5 - K	6 - Color
503	30	<ul style="list-style-type: none"> 29 - ON-OFF AC100-240V PF >0,9 21 - ON-OFF AC220-240V PF >0,9 47 - DALI/PUSH/1-10V AC200-240V PF >0,95 51 - Trailing Edge AC220-240V PF >0,9 SMART CONTROL See Page. 414 	8 - Edison	4 - 4000 2156 Lm System 3600 Lm Source	90 T. White / Blanco T. / Blanc T.

- ▼ Accessories not included
- | Emergency Kit | |
|---------------|-----|
| 2DCLEDK1 | 1 h |
| 2DCLEDK2 | 3 h |
| 2DCLEDK5 | 3 h |
| 2DCLEDK29 | 3 h |

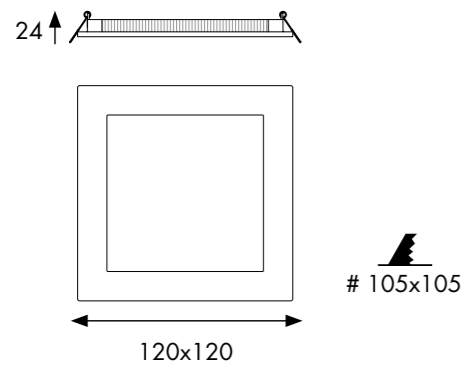
LED CHIP: SMD 2835 - CRI>80 - L70B10 / 50.000H - 120lm/W (4000K) - RGO



The above information is basic. For updated and more accurate information, please consult Technical Data Sheet on www.jisoiluminacion.com
 Consult general issues - www.jisoiluminacion.com (Download - Technical Information)
 Consult Instructions Emergency kit on www.jisoiluminacion.com
 Consult instructions to Driver configuration - page 470
 Consult instructions to Driver dimmable Trailing Edge, 1-10V, DALI and Push - www.jisoiluminacion.com (Download - Technical Information)
 Consult instructions to Driver dimmable Smart Control - page 414



50408
Downlight LED



504 08 - 29 8 4 - 90
1 2 3 4 5 6

1 - Model	2 - W	3 - Driver	4 - Brand Chip	5 - K	6 - Color
504	8	<ul style="list-style-type: none"> 29 - ON-OFF AC100-240V PF >0,5 21 - ON-OFF AC220-240V PF >0,9 47 - DALI/PUSH/1-10V AC200-240V PF >0,9 51 - Trailing Edge AC220-240V PF >0,9 SMART CONTROL See Page. 414 	8 - Edison	<ul style="list-style-type: none"> 3 - 3000 415 Lm System 960 Lm Source 4 - 4000 434 Lm System 960 Lm Source 	90 T. White / Blanco T. / Blanc T.

▼ Accessories not included

Emergency Kit	
2DCLEDK1	1 h
2DCLEDK2	3 h
2DCLEDK5	3 h
2DCLEDK29	3 h

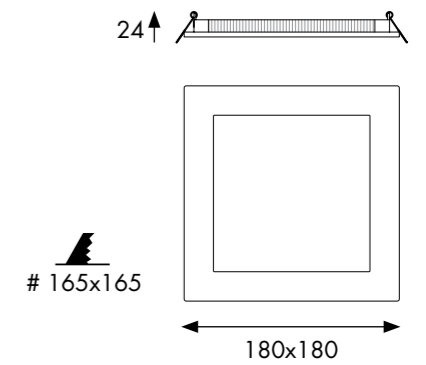
LED CHIP: SMD 2835 - CRI>80 - L70B10 / 50.000H - 120lm/W (4000K) - RGO



The above information is basic. For updated and more accurate information, please consult Technical Data Sheet on www.jisoiluminacion.com
 Consult general issues - www.jisoiluminacion.com (Download - Technical Information)
 Consult Instructions Emergency kit on www.jisoiluminacion.com
 Consult instructions to Driver configuration - page 470
 Consult instructions to Driver dimmable Trailing Edge, 1-10V, DALI and Push - www.jisoiluminacion.com (Download - Technical Information)
 Consult instructions to Driver dimmable Smart Control - page 414



50415
Downlight LED



504 15 - 29 8 4 - 90
1 2 3 4 5 6

1 - Model	2 - W	3 - Driver	4 - Brand Chip	5 - K	6 - Color
504	15	<ul style="list-style-type: none"> 29 - ON-OFF AC100-240V PF >0,5 21 - ON-OFF AC220-240V PF >0,9 47 - DALI/PUSH/1-10V AC200-240V PF >0,95 51 - Trailing Edge AC220-240V PF >0,9 SMART CONTROL See Page. 414 	8 - Edison	<ul style="list-style-type: none"> 3 - 3000 887 Lm System 1800 Lm Source 4 - 4000 949 Lm System 1800 Lm Source 	<ul style="list-style-type: none"> 04* Aluminium / Aluminio / Aluminium 90 T. White / Blanco T. / Blanc T.

▼ Accessories not included

Emergency Kit	
2DCLEDK1	1 h
2DCLEDK2	3 h
2DCLEDK5	3 h
2DCLEDK29	3 h

LED CHIP: SMD 2835 - CRI>80 - L70B10 / 50.000H - 120lm/W (4000K) - RGO

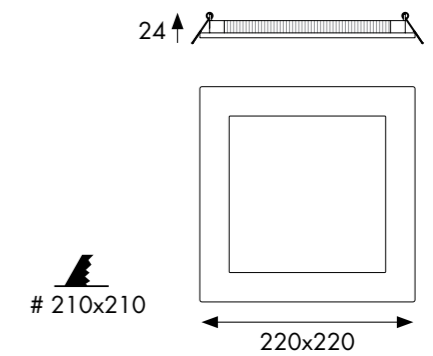
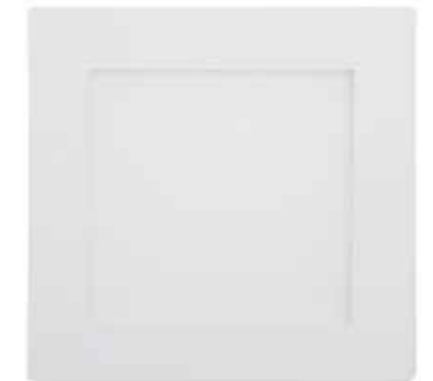


The above information is basic. For updated and more accurate information, please consult Technical Data Sheet on www.jisoiluminacion.com
 Consult general issues - www.jisoiluminacion.com (Download - Technical Information)
 Consult Instructions Emergency kit on www.jisoiluminacion.com
 Consult instructions to Driver configuration - page 470
 Consult instructions to Driver dimmable Trailing Edge, 1-10V, DALI and Push - www.jisoiluminacion.com (Download - Technical Information)
 Consult instructions to Driver dimmable Smart Control - page 414



50422

Downlight LED



504 22 - 29 8 4 - 90

1 - Model	2 - W	3 - Driver	4 - Brand Chip	5 - K	6 - Color
504	22	<ul style="list-style-type: none"> 29 - ON-OFF AC220-240V PF >0,9 21 - ON-OFF AC220-240V PF >0,95 47 - DALI/PUSH/1-10V AC200-240V PF >0,95 51 - Trailing Edge AC220-240V PF >0,9 SMART CONTROL See Page. 414 	8 - Edison	<ul style="list-style-type: none"> 3 - 3000 1518 Lm System 2640 Lm Source 4 - 4000 1597 Lm System 2640 Lm Source 6 - 6000 1692 Lm System 2860 Lm Source 	<ul style="list-style-type: none"> 04* Aluminium / Aluminio / Aluminium 90 T. White / Blanco T. / Blanc T.

▼ Accessories not included

Trim to cover hole
DC50422 - 200-240

Emergency Kit	
2DCLEDK1	1 h
2DCLEDK2	3 h
2DCLEDK5	3 h
2DCLEDK29	3 h

LED CHIP: SMD 2835 - CRI>80 - L70B10 / 50.000H - 120lm/W (4000K) - RGO



The above information is basic. For updated and more accurate information, please consult Technical Data Sheet on www.jisoiluminacion.com
 Consult general issues - www.jisoiluminacion.com (Download - Technical Information)
 Consult Instructions Emergency kit on www.jisoiluminacion.com
 Consult instructions to Driver configuration - page 470
 Consult instructions to Driver dimmable Trailing Edge, 1-10V, DALI and Push - www.jisoiluminacion.com (Download - Technical Information)
 Consult instructions to Driver dimmable Smart Control - page 414



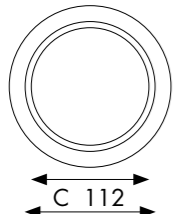
4 | 2

DC503

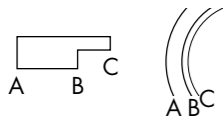
Aro embellecedor redondo
Round trim ring
Cadre enjoliveur rond

DC50308

Ø 105-140

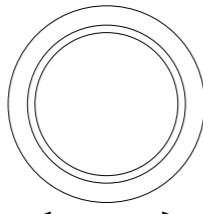


C 112
B 121
A 149,5



DC50315

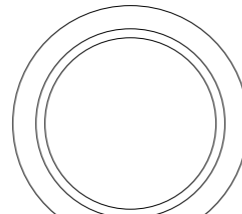
Ø 172-203



C 172,5
B 180,5
A 210,5

DC50322

Ø 200-240



C 210
B 220
A 250



DC50308 - 90

1 2

1 - Ref.	2 - Color	Accessories for below references
DC50308	90 T. White /Blanco T. / Blanc T.	50308
DC50315		50315
DC50322		50322, 50625



The above information is basic. For updated and more accurate information, please consult Technical Data Sheet on www.jisoiluminacion.com

DC50422

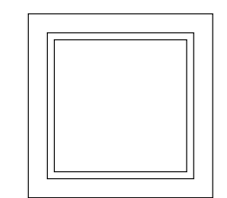
Aro embellecedor cuadrado
Square trim ring
Cadre enjoliveur carré



4 | 2

DC50422

200x200-240x240



C 210x210
B 220x200
A 250x250

DC50422 - 90

1 2

1 - Ref.	2 - Color	Accessories for below references
DC50422	90 T. White /Blanco T. / Blanc T.	50422



G01-200213

Junta de silicona estanca para cumplimiento del Reglamento RT2012
Waterproof silicone gasket for compliance of Regulation RT2012
Joint d'étanchéité en silicone conforme à la Réglementation RT2012

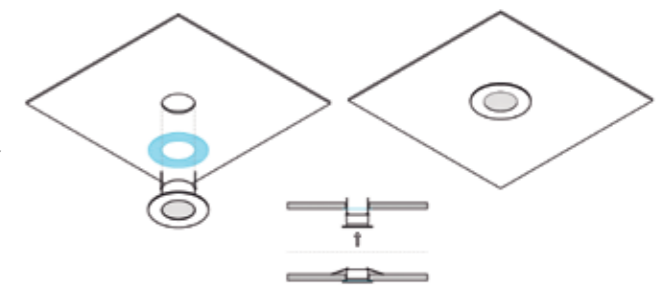
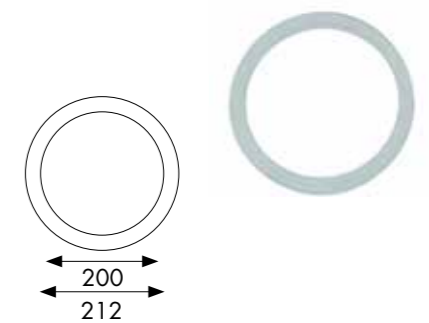
La réglementation thermique a pour but fixer une limite à la consommation énergétique des bâtiments neufs mais également des anciennes constructions. Cette norme définit un nombre de kWh/m²/année pondéré par un coefficient géographique. (50kWh/m²/an pour une construction récente et 80 kWh/m²/an pour une ancienne). Le label BBC (bâtiment basse consommation) n'est jamais attribué à un luminaire mais bien à un bâtiment.

La RT2012, impose des exigences au niveau efficacité énergétique, consommation maximale et COMFORT d'été, ceci implique des mises en œuvre comme le traitement des ponts thermiques, la perméabilité à l'air, la production d'énergies renouvelables, et la mesure des consommations énergétiques.

C'est donc une somme de toutes ces mises en œuvre qui contribue à obtenir ce label.

Dans le cas d'un luminaire encastré, une protection, un boîtier peut être placé dans les faux-plafonds pour éviter le contact avec l'isolant, un joint d'étanchéité doit être présent entre la collerette et le plafond afin de réduire les déperditions.

Pour faciliter les choix et la lecture rapide, un nouveau pictogramme identifie tous les luminaires qui contribueront à l'obtention de ce label.

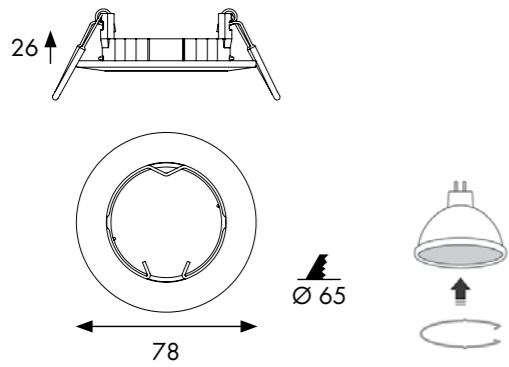


Accessories for Ref. 50322, 50519, 50625, 53030, 55122



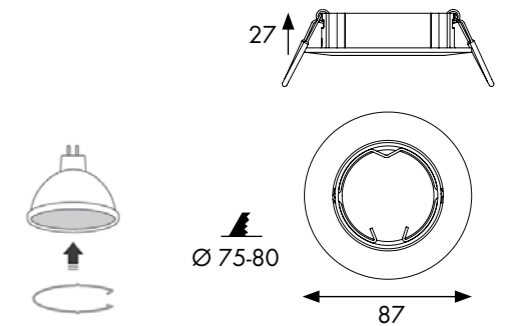
631D

Empotrable Fijo
Recessed Fixed Spotlight
Encastré Fixe



634D

Empotrable Basculante
Recessed Swivel Spotlight
Encastré Basculant



631D - 90

1 - Model	2 - Color
631D	<ul style="list-style-type: none"> 00 White / Blanco / Blanc 01 Black / Negro / Noir 11 Chrome / Cromo / Chrome 12 Brus. Nickel / Niquel Satinado / Nickel Satiné 16 Matt Chrome / Cromo Mate / Chrome Mat 90 Tec. White / Blanco Téc. / Blanc Tech.

▼ Optional

LED Module COB (page 388-389)	LED Module SMD (page 387)	Lampholder (page 390)
<ul style="list-style-type: none"> HLX08-2152 2700K 828Lm HLX08-2153 3000K 849Lm HLX08-2154 4000K 891Lm 	<ul style="list-style-type: none"> HLP06-1990 CCT Switch 3000K 432Lm 4000K 467Lm 	<ul style="list-style-type: none"> 1PHG GU-10 100-240V 1PHB GU-10/GZ-10 100-240V 1DH1 Fast Safety connector 1DH3 GU-10 Safety distancing
<ul style="list-style-type: none"> HLX12-2152 2700K 1207Lm HLX12-2153 3000K 1238Lm HLX12-2154 4000K 1300Lm 	<p>Bulb LED GU-10 (page 386)</p> <ul style="list-style-type: none"> 1LHG-300 CCT Switch 3000K 452Lm 4000K 478Lm 	
<ul style="list-style-type: none"> HLHLX-01 Honeycomb Acc. 		



The above information is basic. For updated and more accurate information, please consult Technical Data Sheet on www.jisoiluminacion.com

634D - 90

1 - Model	2 - Color
634D	<ul style="list-style-type: none"> 00 White / Blanco / Blanc 01 Black / Negro / Noir 11 Chrome / Cromo / Chrome 12 Brus. Nickel / Niquel Satinado / Nickel Satiné 13 Brushed Antique / Cuero Satinado / Cuir Satiné 16 Matt Chrome / Cromo Mate / Chrome Mat 90 Tec. White / Blanco Téc. / Blanc Tech.

▼ Optional

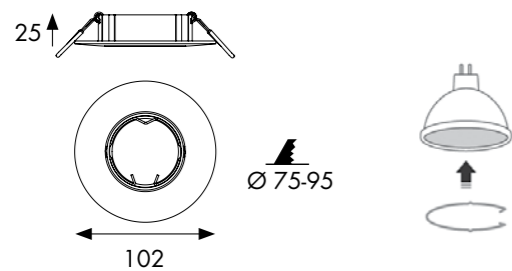
LED Module COB (page 388-389)	LED Module SMD (page 387)	Lampholder (page 390)
<ul style="list-style-type: none"> HLX08-2152 2700K 828Lm HLX08-2153 3000K 849Lm HLX08-2154 4000K 891Lm 	<ul style="list-style-type: none"> HLP06-1990 CCT Switch 3000K 432Lm 4000K 467Lm 	<ul style="list-style-type: none"> 1PHG GU-10 100-240V 1PHB GU-10/GZ-10 100-240V 1DH1 Fast Safety connector 1DH3 GU-10 Safety distancing
<ul style="list-style-type: none"> HLX12-2152 2700K 1207Lm HLX12-2153 3000K 1238Lm HLX12-2154 4000K 1300Lm 	<p>Bulb LED GU-10 (page 386)</p> <ul style="list-style-type: none"> 1LHG-300 CCT Switch 3000K 452Lm 4000K 478Lm 	
<ul style="list-style-type: none"> HLHLX-01 Honeycomb Acc. 		



The above information is basic. For updated and more accurate information, please consult Technical Data Sheet on www.jisoiluminacion.com

639D

Empotrable Basculante
Recessed Swivel Spotlight
Encastré Basculant



639D - 90

1 - Model	2 - Color
639D	<ul style="list-style-type: none"> 00 White / Blanco / Blanc 01 Black / Negro / Noir 10 Gold / Oro / Or 11 Chrome / Cromo / Chrome 12 Brus. Nickel / Niquel Satinado / Nickel Satiné 13 Brushed Antique / Cuero Satinado / Cuir Satiné 16 Matt Chrome / Cromo Mate / Chrome Mat 69 Wengue / Wengué / Wengue 90 Tec. White / Blanco Téc. / Blanc Tech. 92 Silver Leaf / Pan de Plata / Feuille d'Argent 93 Gold Leaf / Pan de Oro / Feuille d'Or

▼ Optional

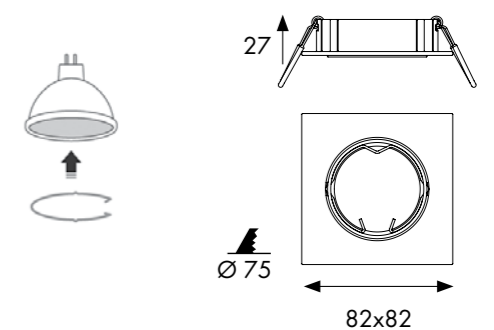
LED Module COB (page 388-389)	LED Module SMD (page 387)	Lampholder (page 390)
<ul style="list-style-type: none"> HLX08-2152 2700K 828Lm HLX08-2153 3000K 849Lm HLX08-2154 4000K 891Lm 	<ul style="list-style-type: none"> HLP06-1990 CCT Switch 3000K 432Lm 4000K 467Lm 	<ul style="list-style-type: none"> 1PHG GU-10 100-240V 1PHB GU-10/GZ-10 100-240V 1DH1 Fast Safety connector 1DH3 GU-10 Safety distancing
<ul style="list-style-type: none"> HLX12-2152 2700K 1207Lm HLX12-2153 3000K 1238Lm HLX12-2154 4000K 1300Lm 	<p>Bulb LED GU-10 (page 386)</p> <ul style="list-style-type: none"> 1LHG-300 CCT Switch 3000K 452Lm 4000K 478Lm 	
<ul style="list-style-type: none"> HLHLX-01 Honeycomb Acc. 		



The above information is basic. For updated and more accurate information, please consult Technical Data Sheet on www.jisoiluminacion.com

604D

Empotrable Basculante
Recessed Swivel Spotlight
Encastré Basculant



604D - 90

1 - Model	2 - Color
604D	<ul style="list-style-type: none"> 00 White / Blanco / Blanc 11 Chrome / Cromo / Chrome 12 Brus. Nickel / Niquel Satinado / Nickel Satiné 13 Brushed Antique / Cuero Satinado / Cuir Satiné 16 Matt Chrome / Cromo Mate / Chrome Mat 90 Tec. White / Blanco Téc. / Blanc Tech.

▼ Optional

LED Module COB (page 388-389)	LED Module SMD (page 387)	Lampholder (page 390)
<ul style="list-style-type: none"> HLX08-2152 2700K 828Lm HLX08-2153 3000K 849Lm HLX08-2154 4000K 891Lm 	<ul style="list-style-type: none"> HLP06-1990 CCT Switch 3000K 432Lm 4000K 467Lm 	<ul style="list-style-type: none"> 1PHG GU-10 100-240V 1PHB GU-10/GZ-10 100-240V 1DH1 Fast Safety connector 1DH3 GU-10 Safety distancing
<ul style="list-style-type: none"> HLX12-2152 2700K 1207Lm HLX12-2153 3000K 1238Lm HLX12-2154 4000K 1300Lm 	<p>Bulb LED GU-10 (page 386)</p> <ul style="list-style-type: none"> 1LHG-300 CCT Switch 3000K 452Lm 4000K 478Lm 	
<ul style="list-style-type: none"> HLHLX-01 Honeycomb Acc. 		



The above information is basic. For updated and more accurate information, please consult Technical Data Sheet on www.jisoiluminacion.com

